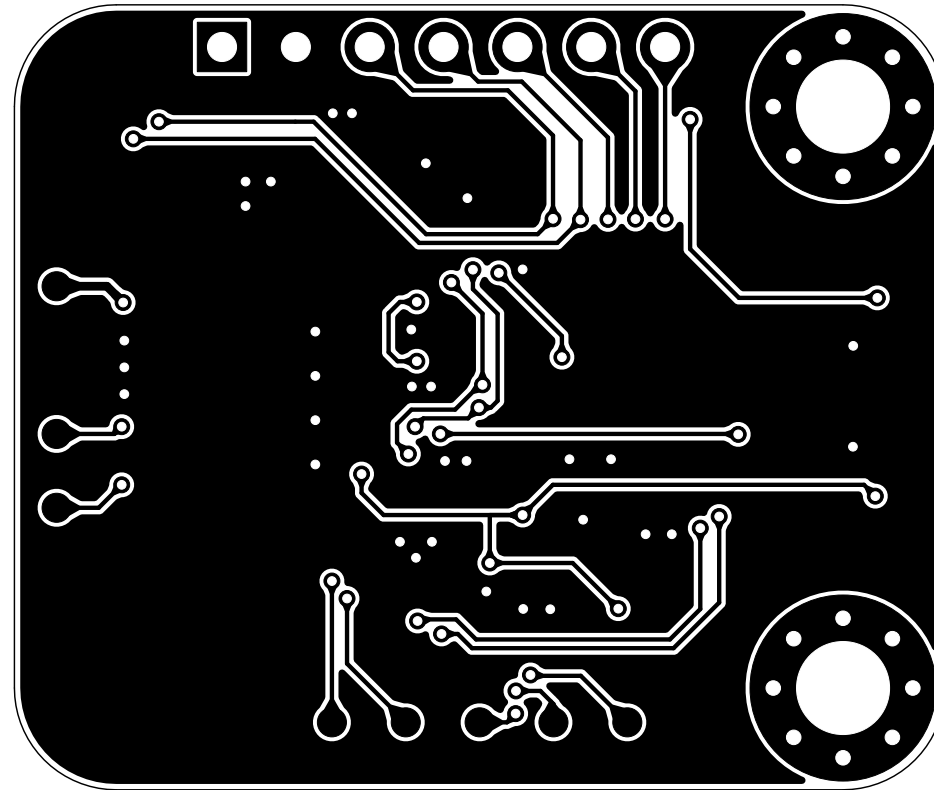
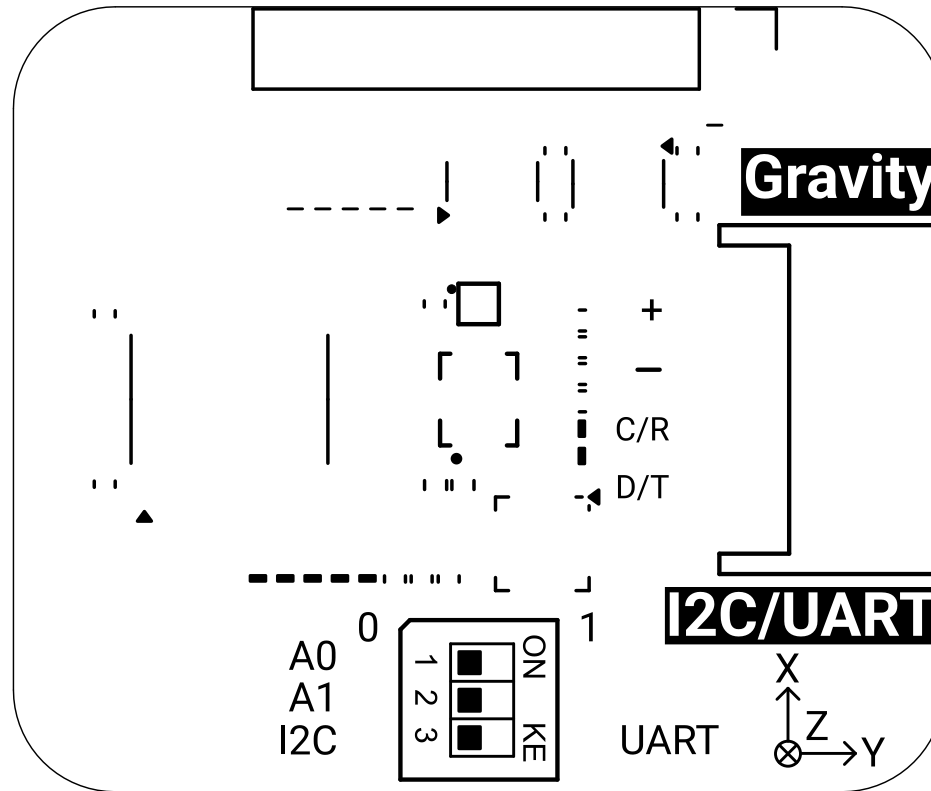


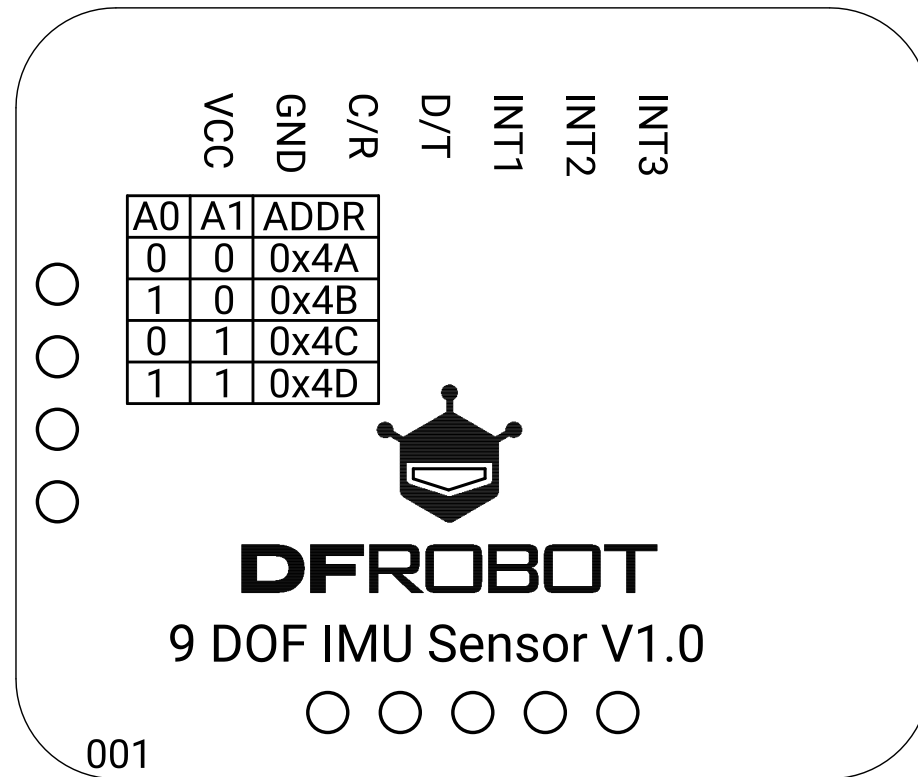
PCB Information Top\_Layer 2026-02-05  
SEN0694-V1.0.0-1.6mm-2 Layer-27\*31mmmm  
Top SolderMask:Black Bottom SolderMask:Black  
Top Silkscreen:White Bottom Silkscreen:White



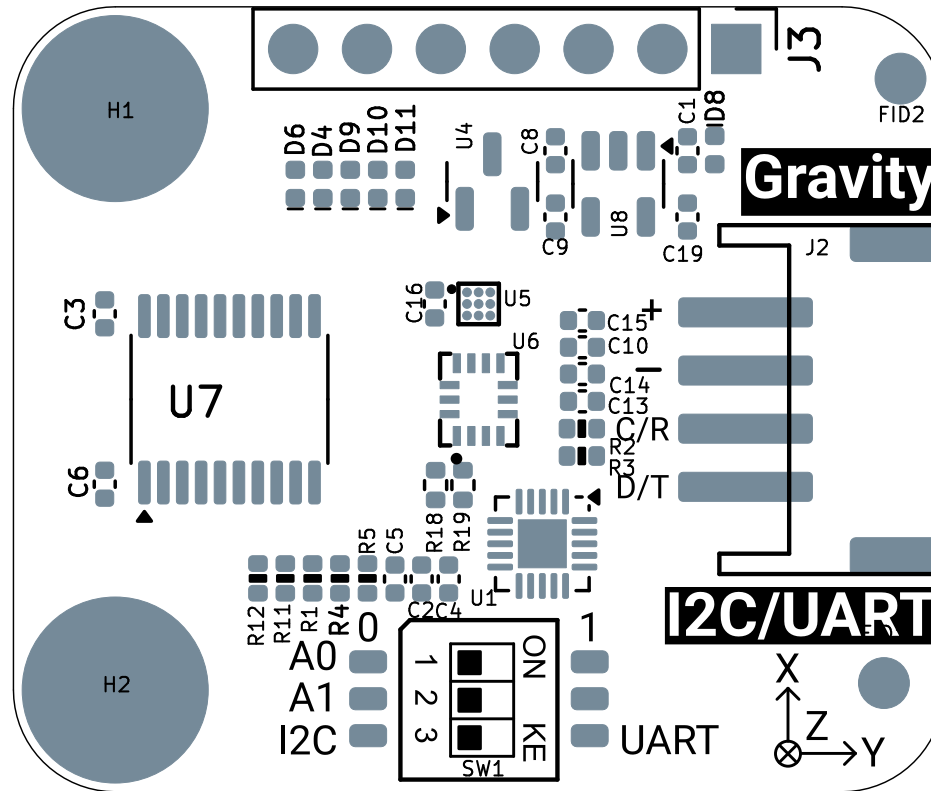
PCB Information Bottom\_Layer 2026-02-05  
SEN0694-V1.0.0-1.6mm-2 Layer-27\*31mmmm  
Top SolderMask:Black Bottom SolderMask:Black  
Top Silkscreen:White Bottom Silkscreen:White

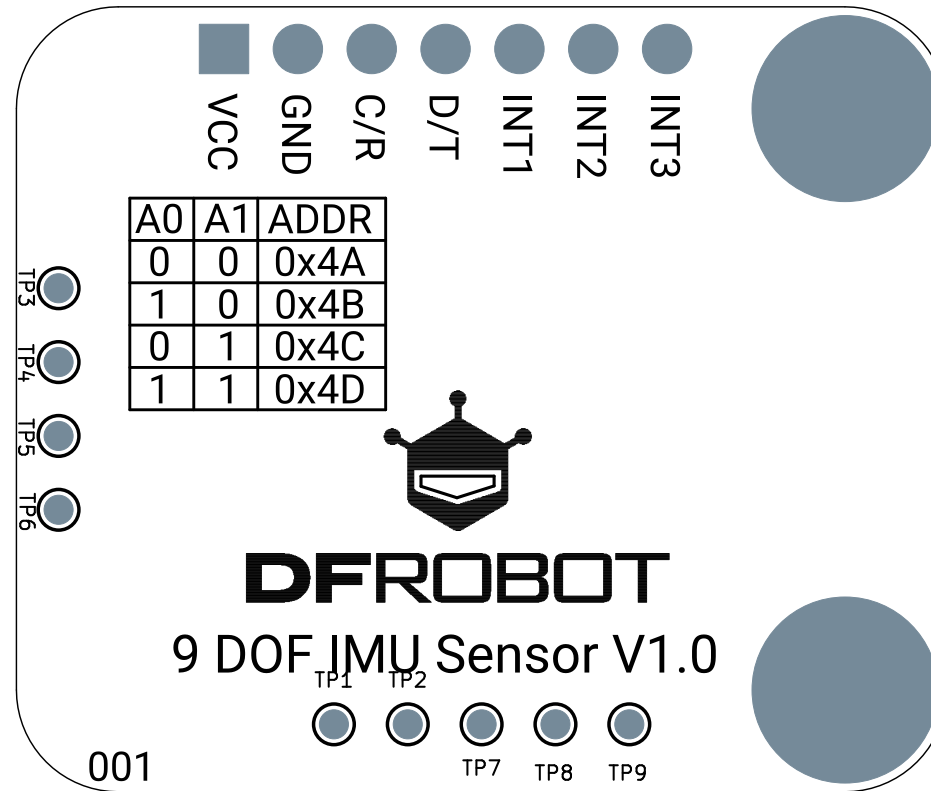


PCB Information Top\_Silkscreen 2026-02-05  
 SEN0694-V1.0.0-1.6mm-2 Layer-27\*31mmmm  
 Top SolderMask:Black Bottom SolderMask:Black  
 Top Silkscreen:White Bottom Silkscreen:White

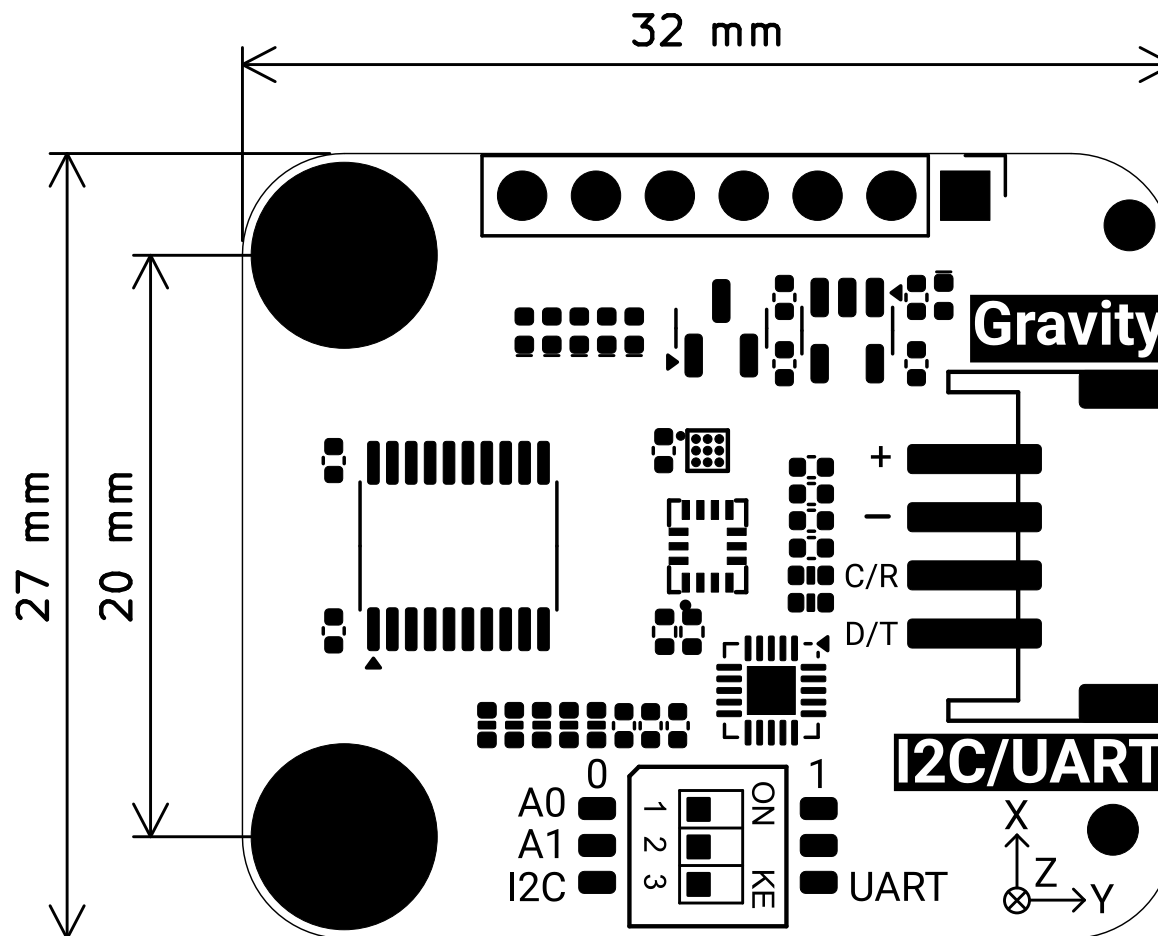


PCB Information Bottom\_Silkscreen 2026-02-05  
 SEN0694-V1.0.0-1.6mm-2 Layer-27\*31mmmm  
 Top SolderMask:Black Bottom SolderMask:Black  
 Top Silkscreen:White Bottom Silkscreen:White

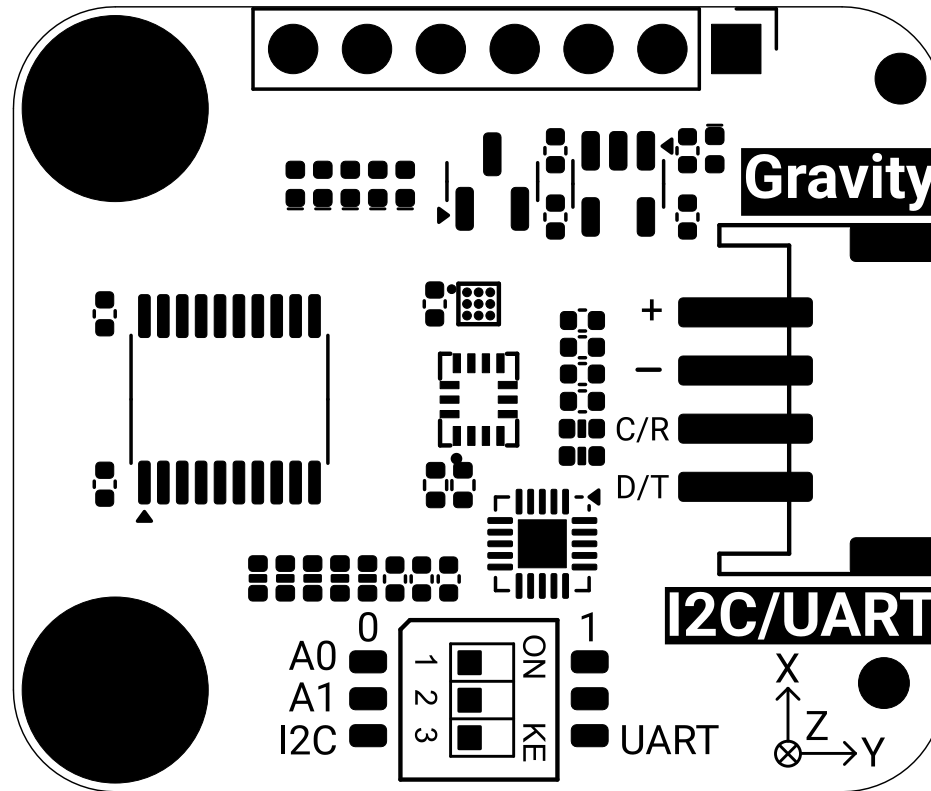




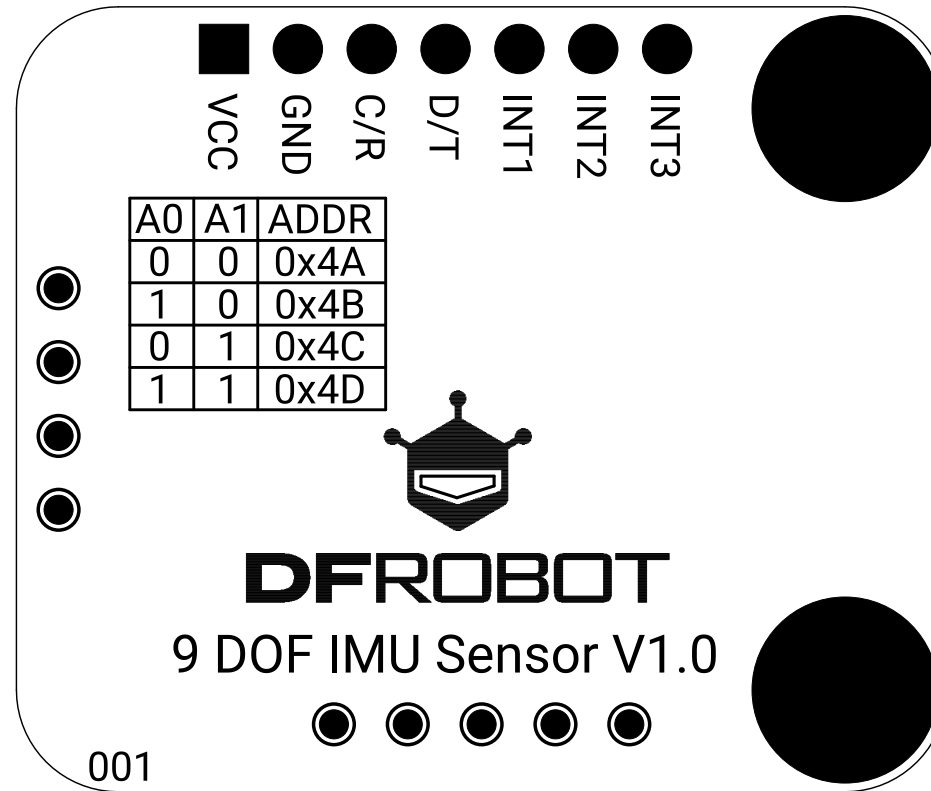
PCB Information Bottom\_Location 2026-02-05  
 SEN0694-V1.0.0-1.6mm-2 Layer-27\*31mmmm  
 Top SolderMask:Black Bottom SolderMask:Black  
 Top Silkscreen:White Bottom Silkscreen:White



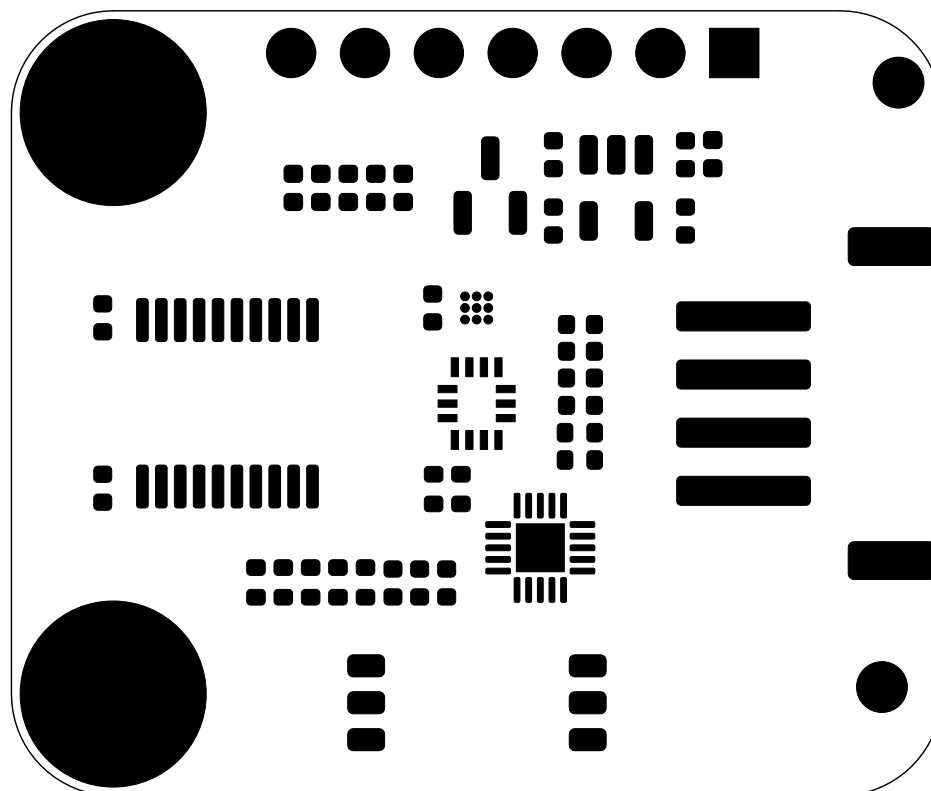
PCB Information Board\_Size 2026-02-05  
 SEN0694-V1.0.0-1.6mm-2 Layer-27\*31mmmm  
 Top SolderMask:Black Bottom SolderMask:Black  
 Top Silkscreen:White Bottom Silkscreen:White



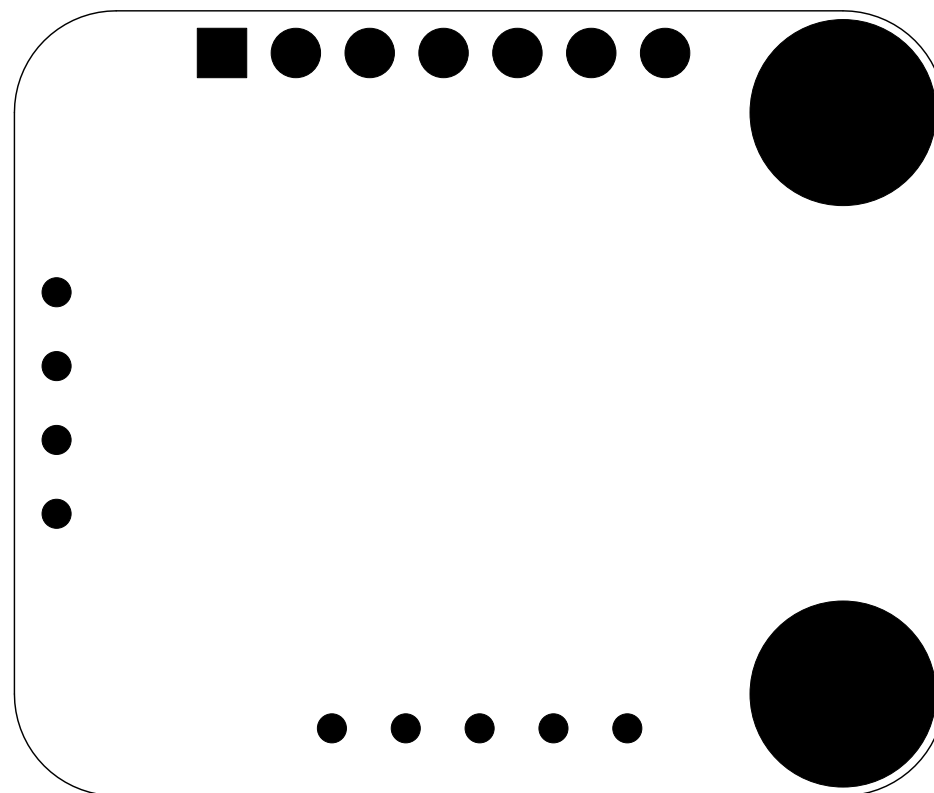
PCB Information Top\_Testpoint 2026-02-05  
SEN0694-V1.0.0-1.6mm-2 Layer-27\*31mmmm  
Top SolderMask:Black Bottom SolderMask:Black  
Top Silkscreen:White Bottom Silkscreen:White



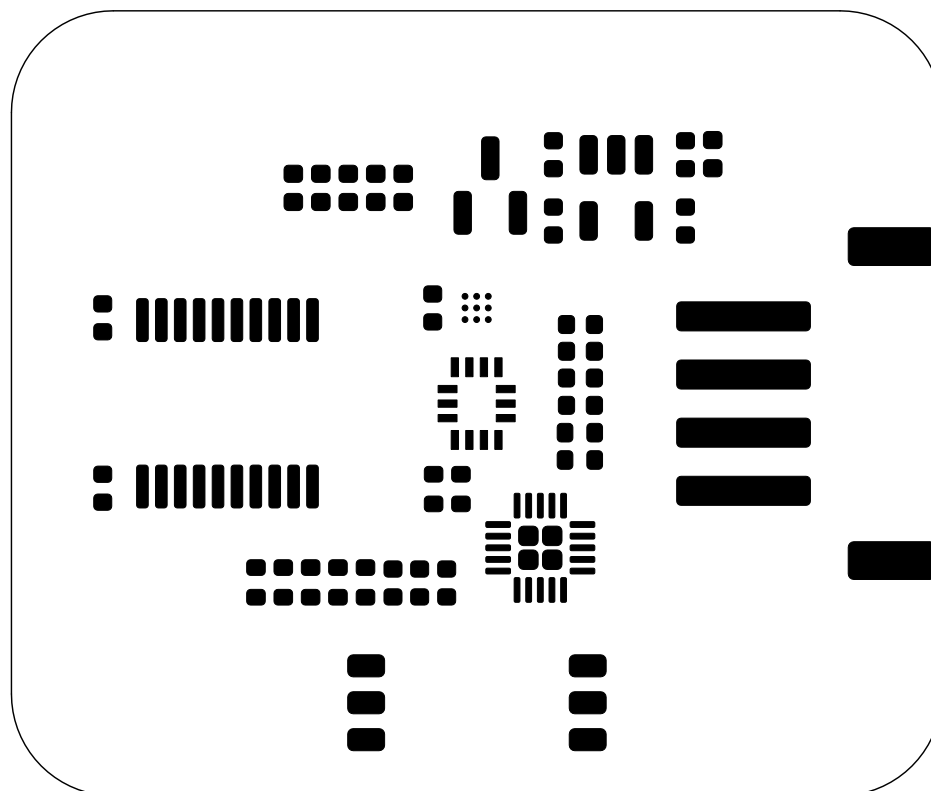
PCB Information Bottom\_Testpoint 2026-02-05  
 SEN0694-V1.0.0-1.6mm-2 Layer-27\*31mmmm  
 Top SolderMask:Black Bottom SolderMask:Black  
 Top Silkscreen:White Bottom Silkscreen:White



PCB Information Top\_Musk 2026-02-05  
SEN0694-V1.0.0-1.6mm-2 Layer-27\*31mmmm  
Top SolderMask:Black Bottom SolderMask:Black  
Top Silkscreen:White Bottom Silkscreen:White



PCB Information Bottom\_Musk 2026-02-05  
SEN0694-V1.0.0-1.6mm-2 Layer-27\*31mmmm  
Top SolderMask:Black Bottom SolderMask:Black  
Top Silkscreen:White Bottom Silkscreen:White



PCB Information Top\_Paste 2026-02-05  
SEN0694-V1.0.0-1.6mm-2 Layer-27\*31mmmm  
Top SolderMask:Black Bottom SolderMask:Black  
Top Silkscreen:White Bottom Silkscreen:White



PCB Information Bottom\_Paste 2026-02-05  
SEN0694-V1.0.0-1.6mm-2 Layer-27\*31mmmm  
Top SolderMask:Black Bottom SolderMask:Black  
Top Silkscreen:White Bottom Silkscreen:White