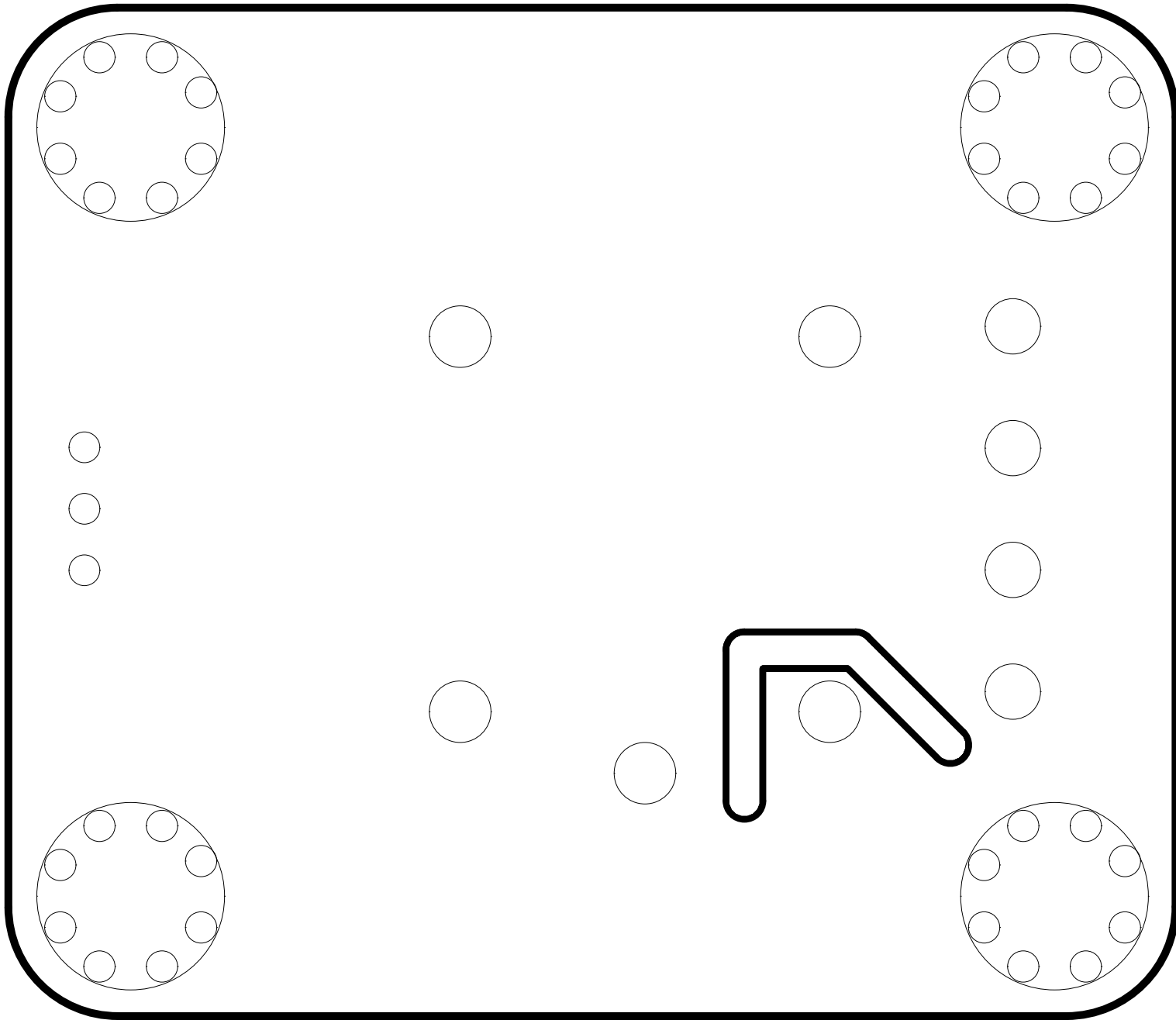
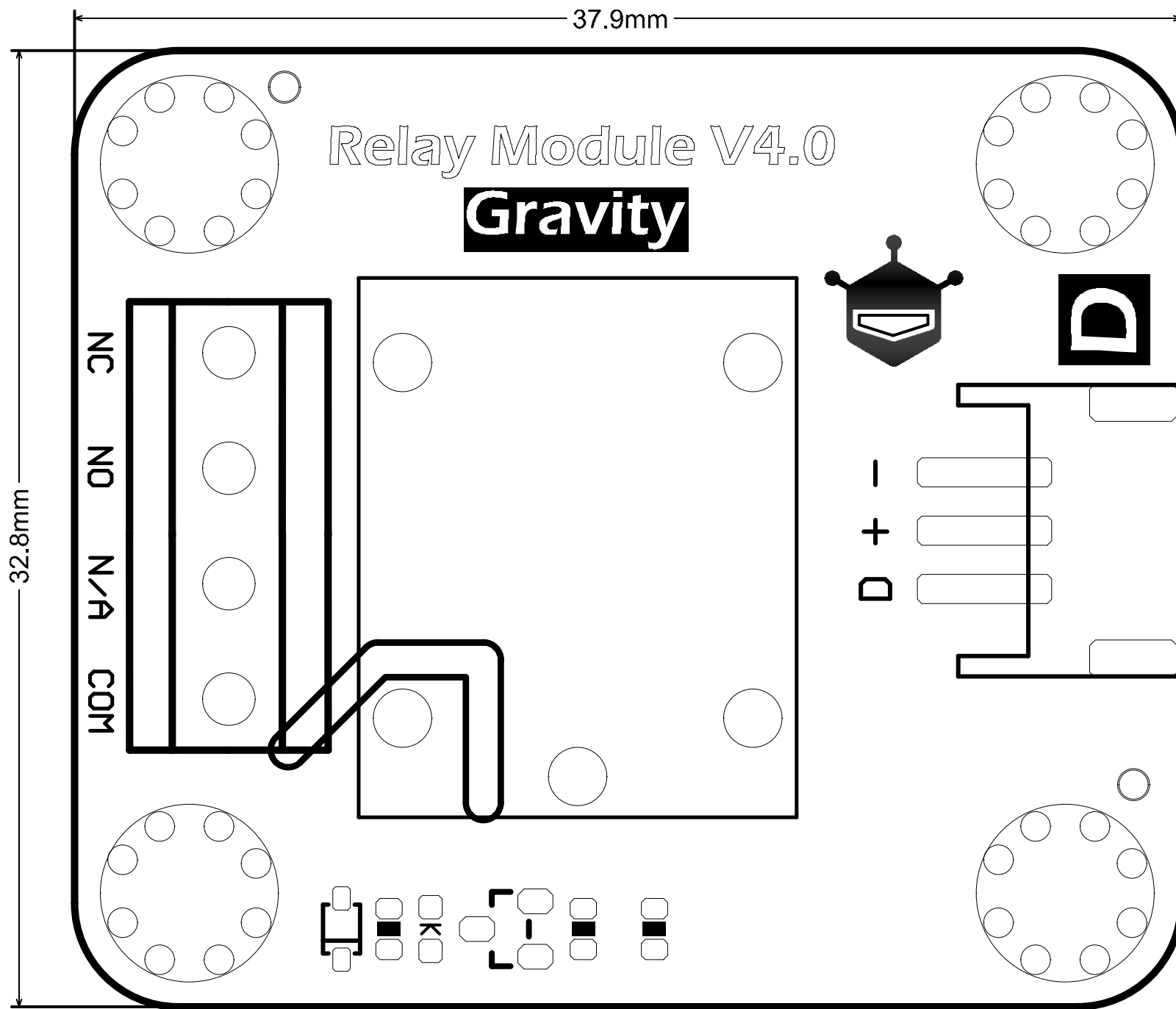


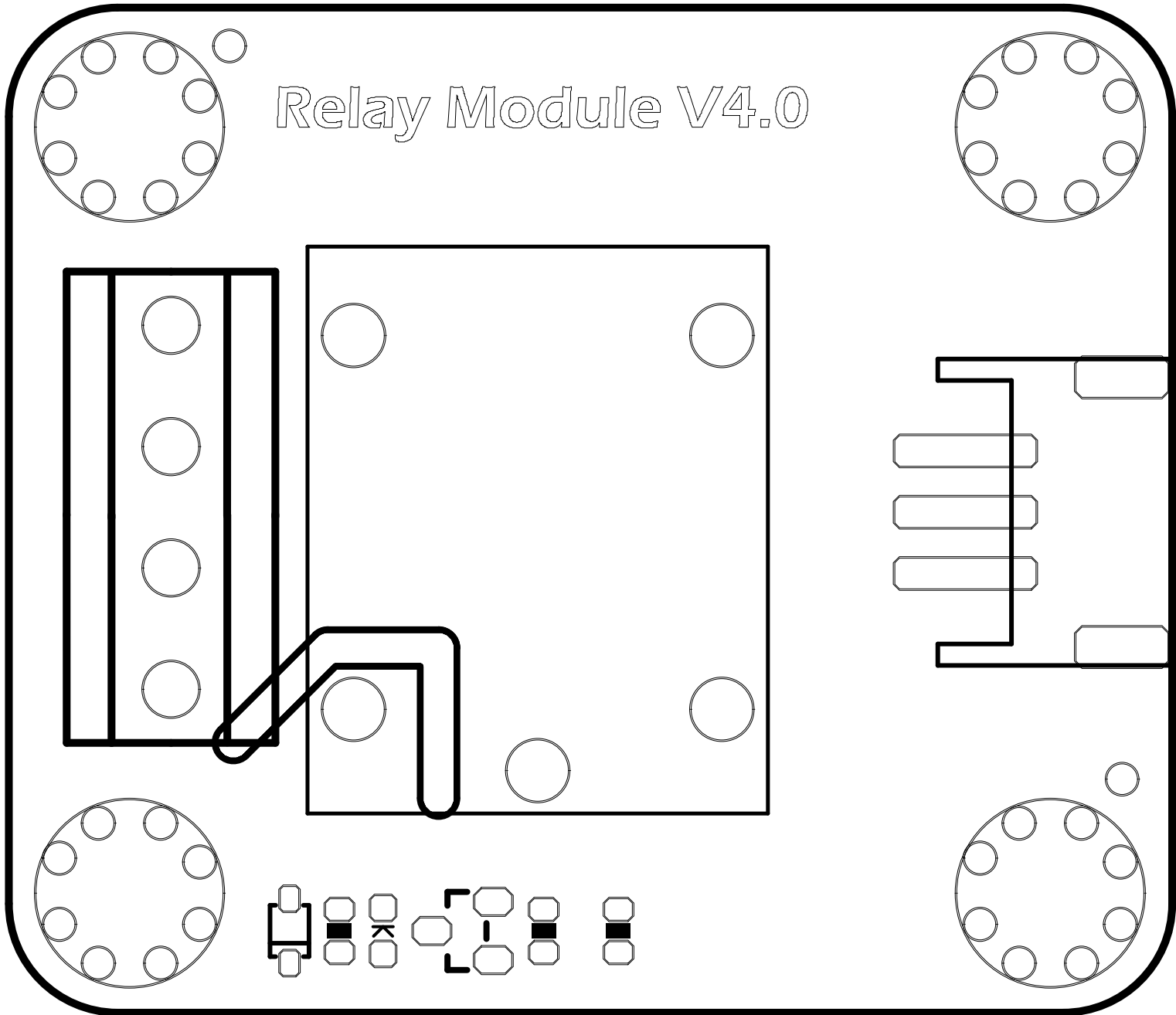
PCB Information	Name:DFR0017[V4.0]	Thickness: 1.6mm
Engineer:lfwag_CD	Top SolderMask: Black	Bottom SolderMask: Black
Date:20181017	Top Silkscreen: White	Bottom Silkscreen: White



PCB Information	Name:DFR0017[V4.0]	Thickness: 1.6mm
Engineer:lfwag_CD	Top SolderMask: Black	Bottom SolderMask: Black
Date:20181017	Top Silkscreen: White	Bottom Silkscreen: White



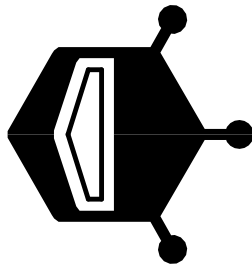
PCB Information	Name:DFR0017[V4.0]	Thickness: 1.6mm
Engineer:lfwag_CD	Top SolderMask: Black	Bottom SolderMask: Black
Date:20181017	Top Silkscreen: White	Bottom Silkscreen: White



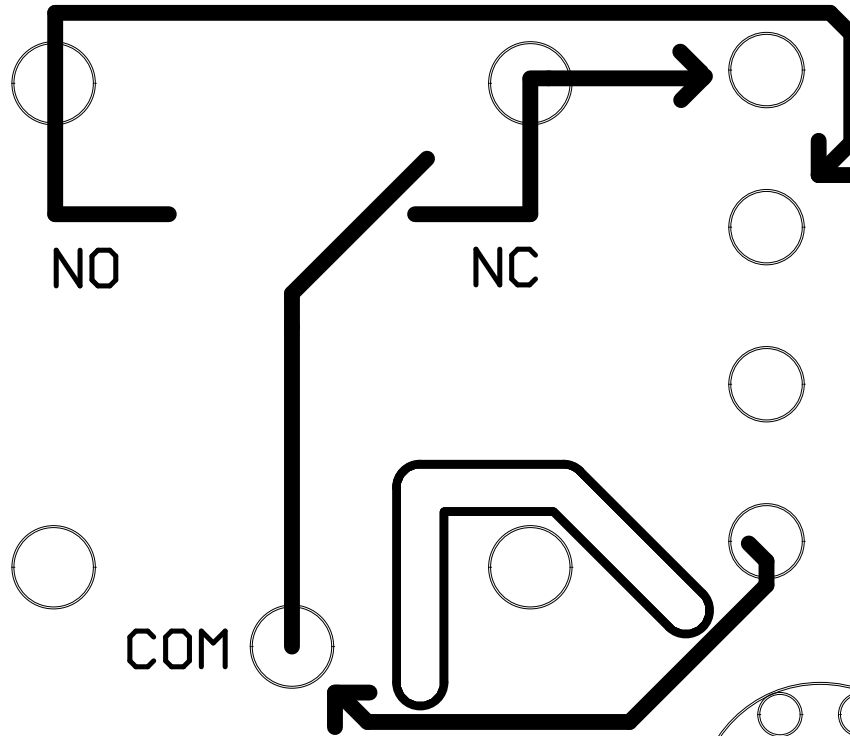
PCB Information	Name:DFR0017[V4.0]	Thickness: 1.6mm
Engineer:lfwag_CD	Top SolderMask: Black	Bottom SolderMask: Black
Date:20181017	Top Silkscreen: White	Bottom Silkscreen: White

GND
VCC
D

DFROBOT



NC:Normally Closed
NO:Normally Open



PCB Information	Name:DFR0017[V4.0]	Thickness: 1.6mm
Engineer:lfwag_CD	Top SolderMask: Black	Bottom SolderMask: Black
Date:20181017	Top Silkscreen: White	Bottom Silkscreen: White