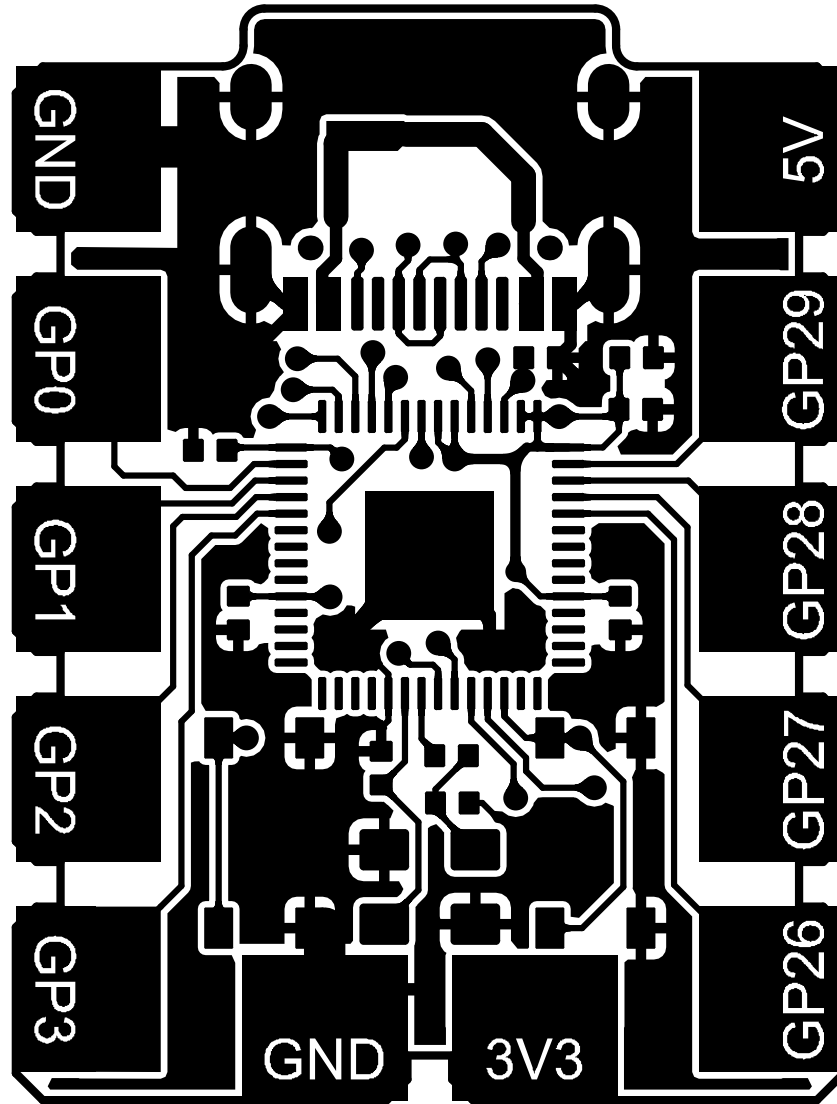
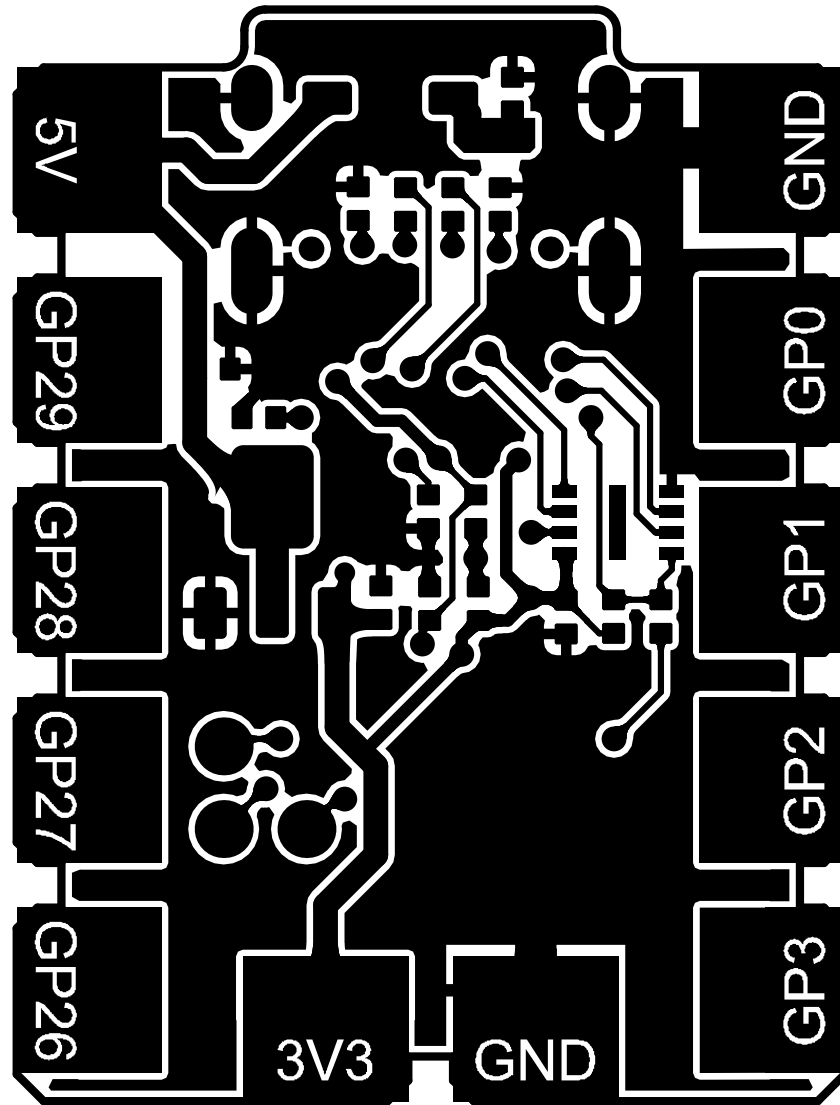


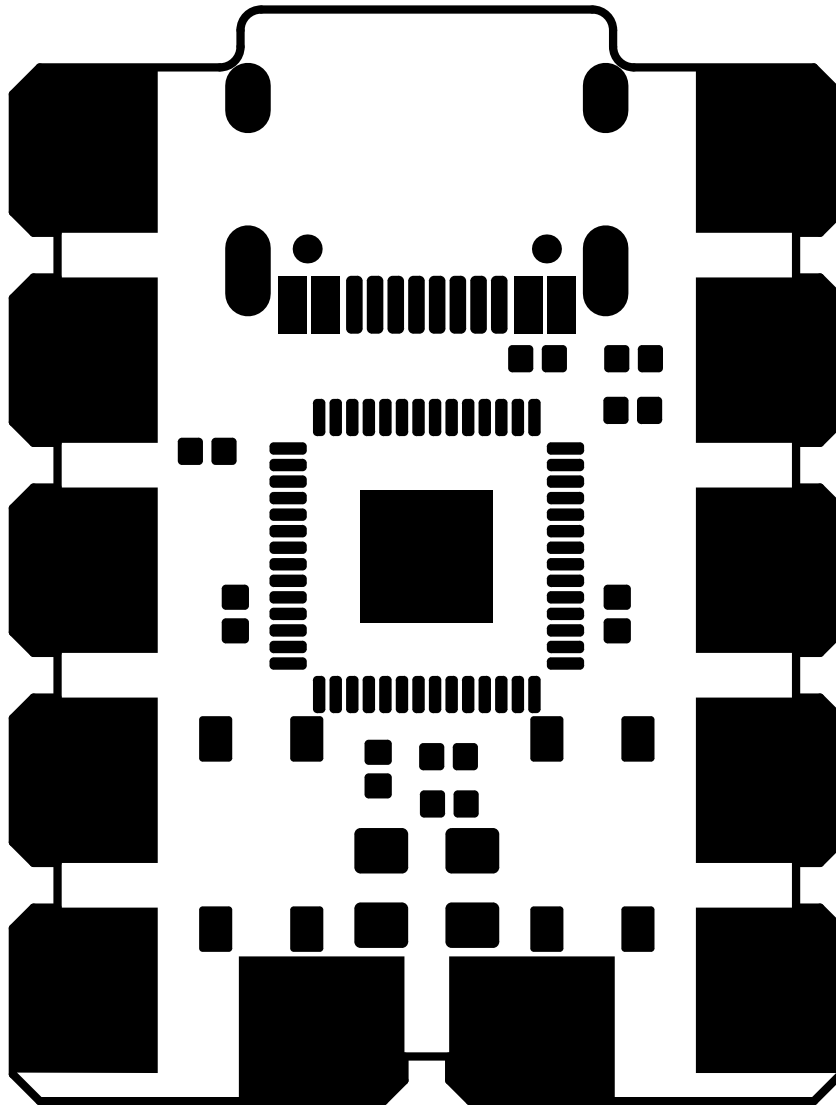
Title: Beetle RP2040	Code: DFR0959
Drawn: HDJ-CD	Revision: V0.0.1
Page: 1 of 1	Size: A4
Date: 2022/1/12	Time: 16:05:32



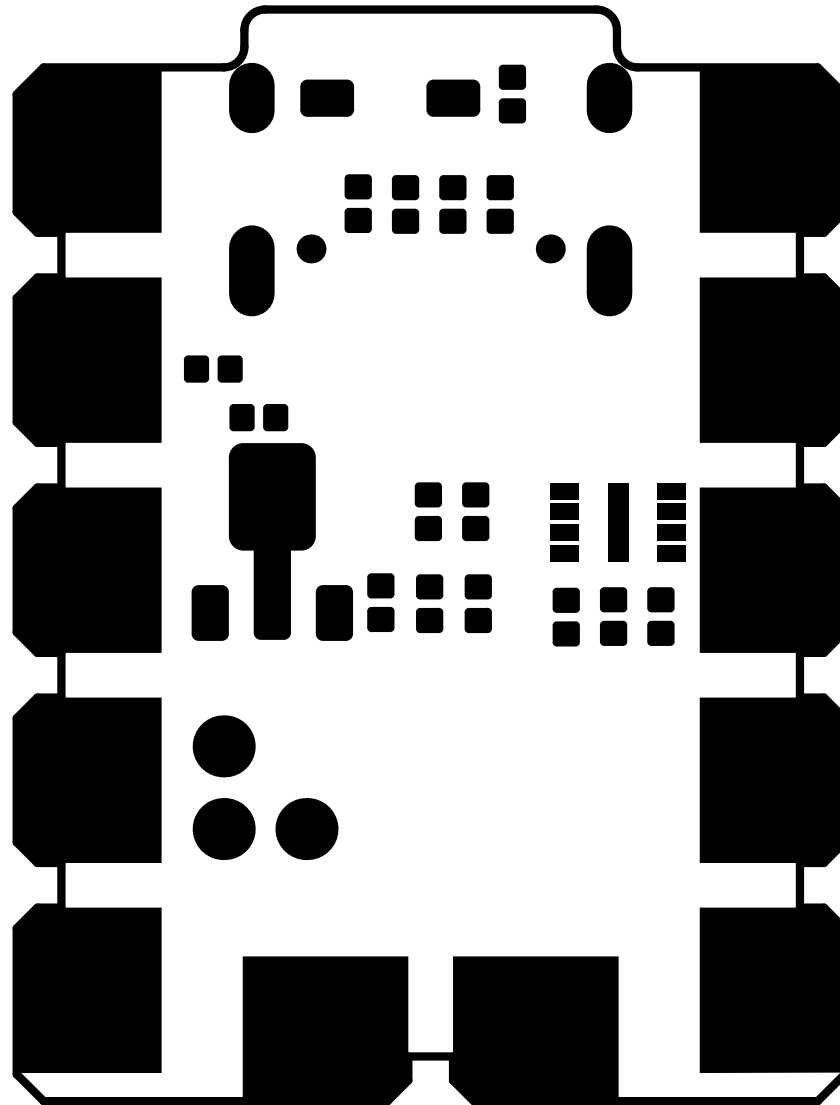
PCB Information	Name:[DFR0959](V0.0.1)	Thickness: 1.0mm
Engineer:HDJ-CD	Top SolderMask: Black	Bottom SolderMask: Black
Date: 20220112	Top Silkscreen: White	Bottom Silkscreen: White



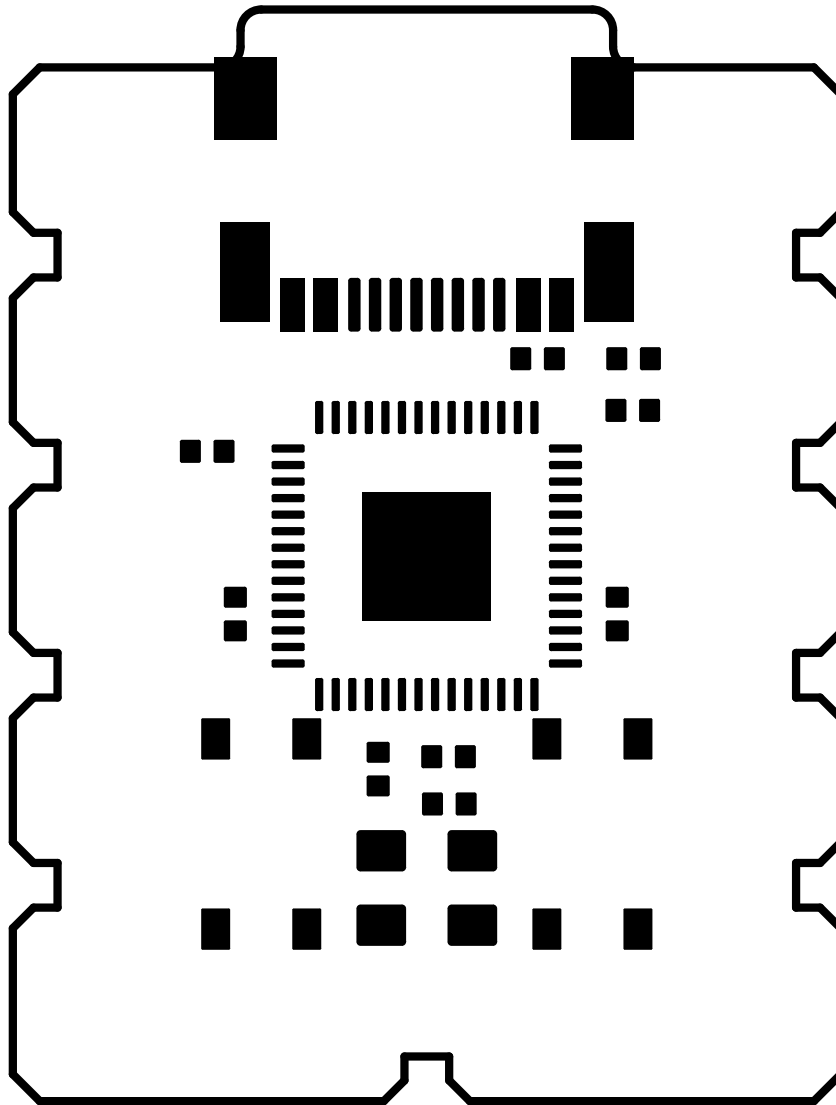
PCB Information	Name:[DFR0959](V0.0.1)	Thickness: 1.0mm
Engineer:HDJ-CD	Top SolderMask: Black	Bottom SolderMask: Black
Date: 20220112	Top Silkscreen: White	Bottom Silkscreen: White



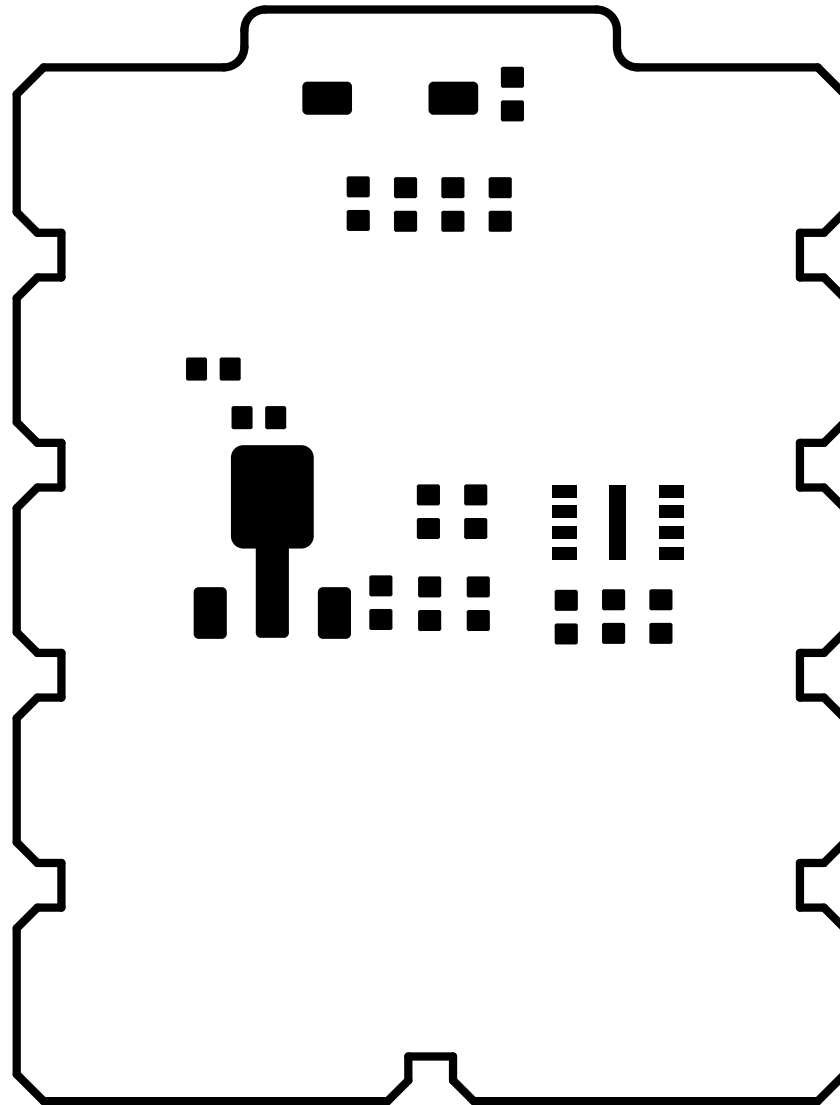
PCB Information	Name:[DFR0959](V0.0.1)	Thickness: 1.0mm
Engineer:HDJ-CD	Top SolderMask: Black	Bottom SolderMask: Black
Date: 20220112	Top Silkscreen: White	Bottom Silkscreen: White



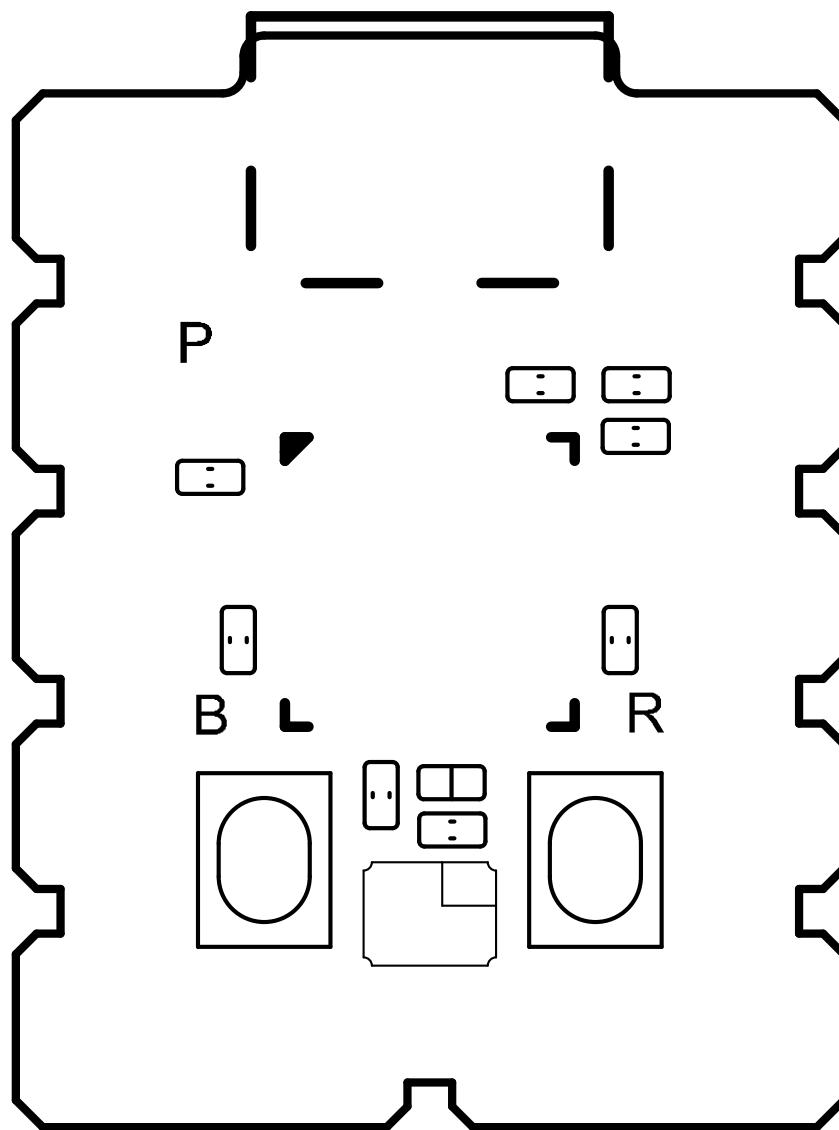
PCB Information	Name:[DFR0959](V0.0.1)	Thickness: 1.0mm
Engineer:HDJ-CD	Top SolderMask: Black	Bottom SolderMask: Black
Date: 20220112	Top Silkscreen: White	Bottom Silkscreen: White



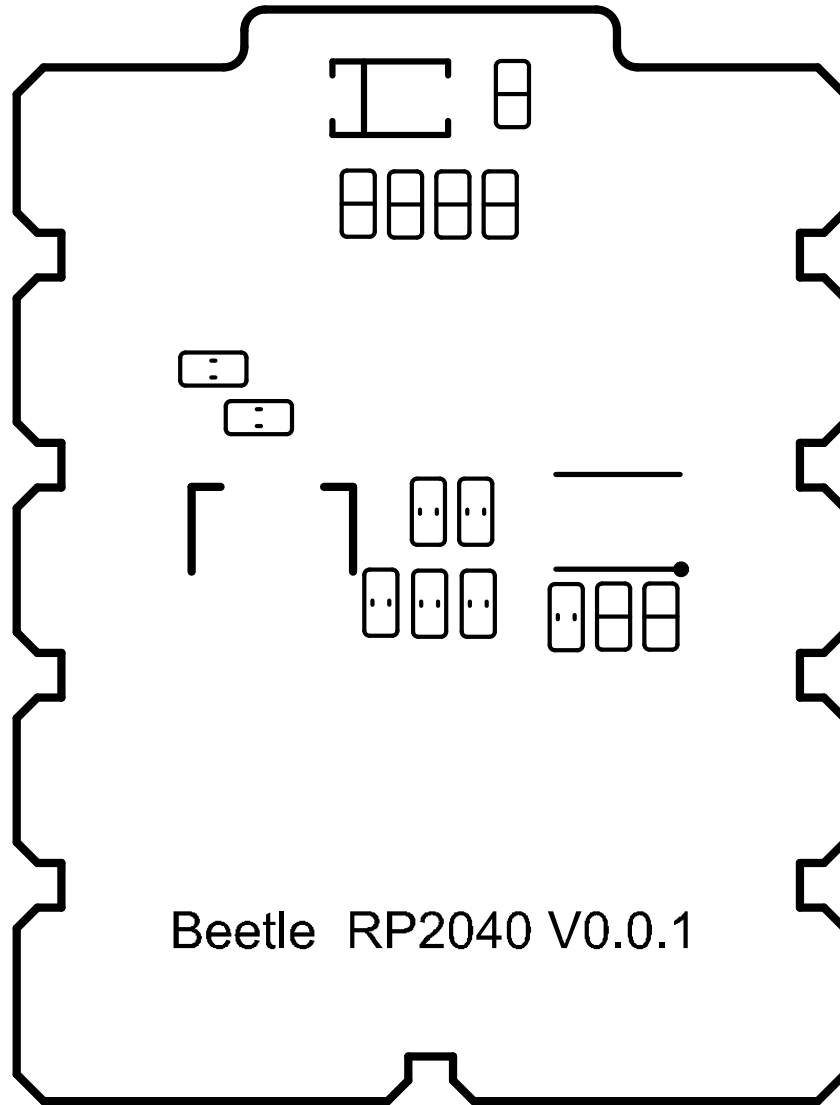
PCB Information	Name:[DFR0959](V0.0.1)	Thickness: 1.0mm
Engineer:HDJ-CD	Top SolderMask: Black	Bottom SolderMask: Black
Date: 20220112	Top Silkscreen: White	Bottom Silkscreen: White



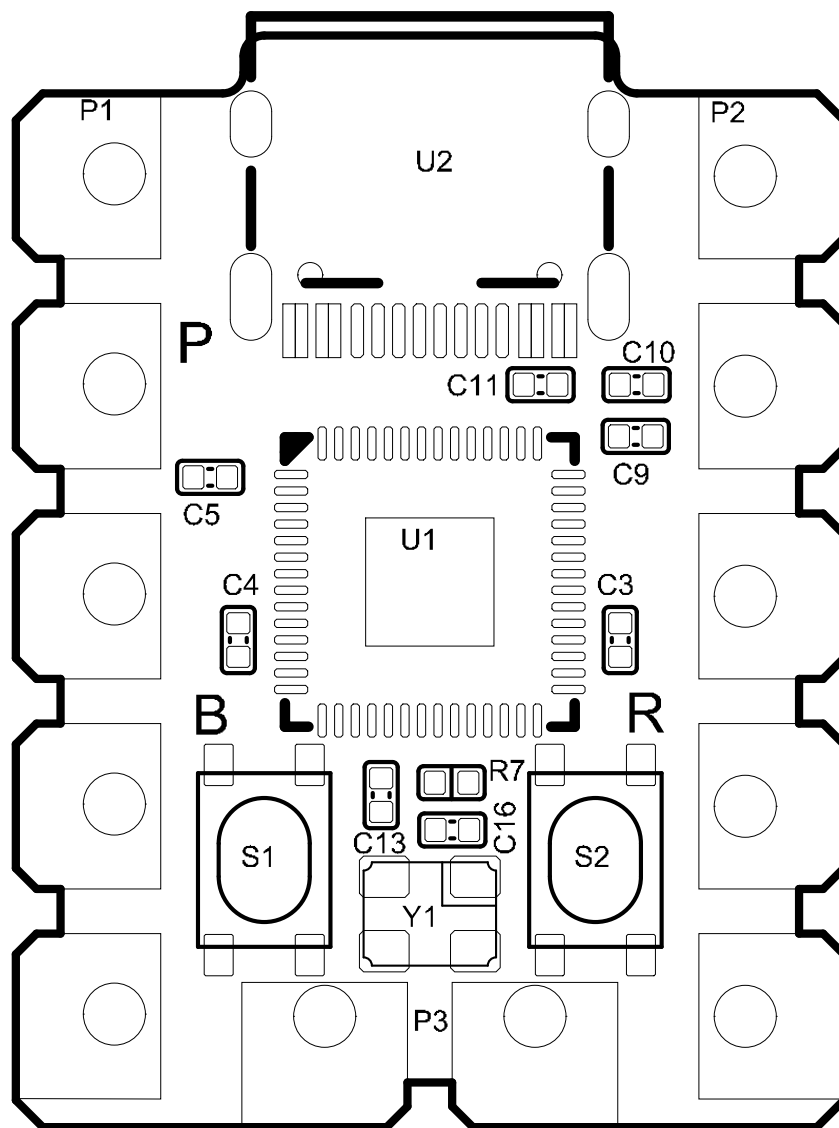
PCB Information	Name:[DFR0959](V0.0.1)	Thickness: 1.0mm
Engineer:HDJ-CD	Top SolderMask: Black	Bottom SolderMask: Black
Date: 20220112	Top Silkscreen: White	Bottom Silkscreen: White



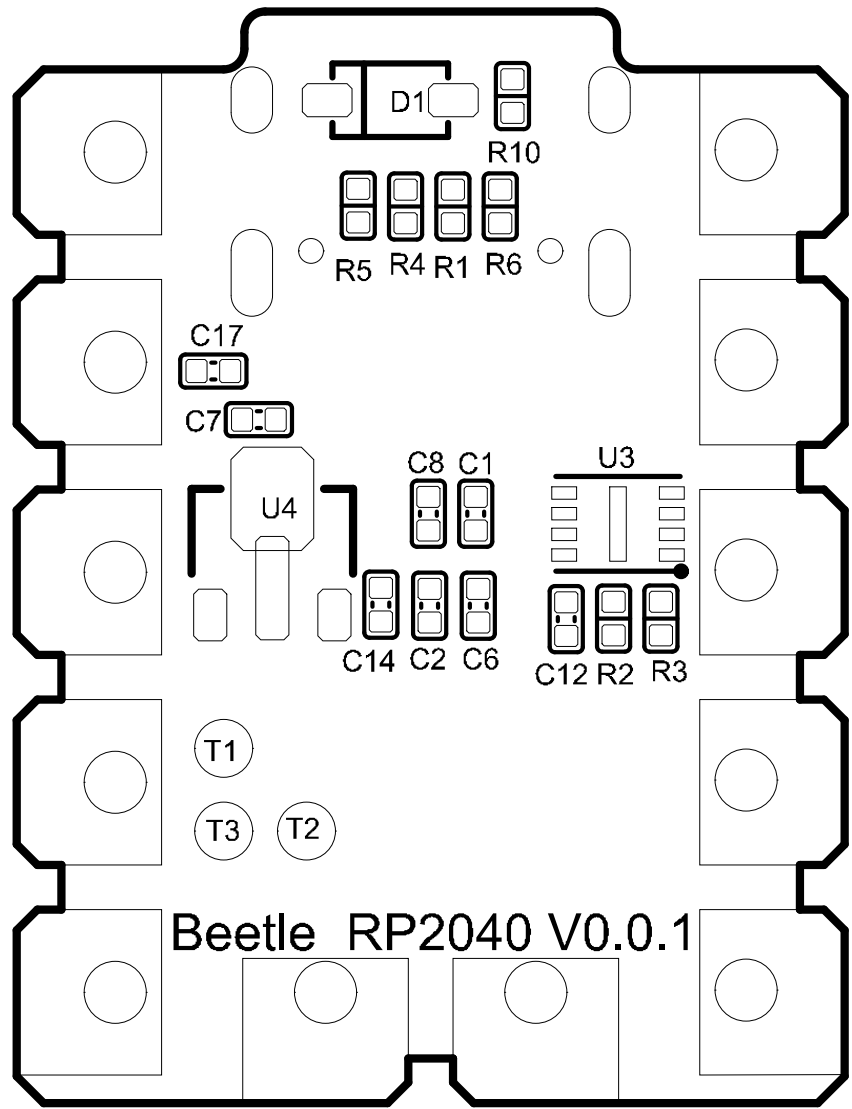
PCB Information	Name:[DFR0959](V0.0.1)	Thickness: 1.0mm
Engineer:HDJ-CD	Top SolderMask: Black	Bottom SolderMask: Black
Date: 20220112	Top Silkscreen: White	Bottom Silkscreen: White



PCB Information	Name:[DFR0959](V0.0.1)	Thickness: 1.0mm
Engineer:HDJ-CD	Top SolderMask: Black	Bottom SolderMask: Black
Date: 20220112	Top Silkscreen: White	Bottom Silkscreen: White

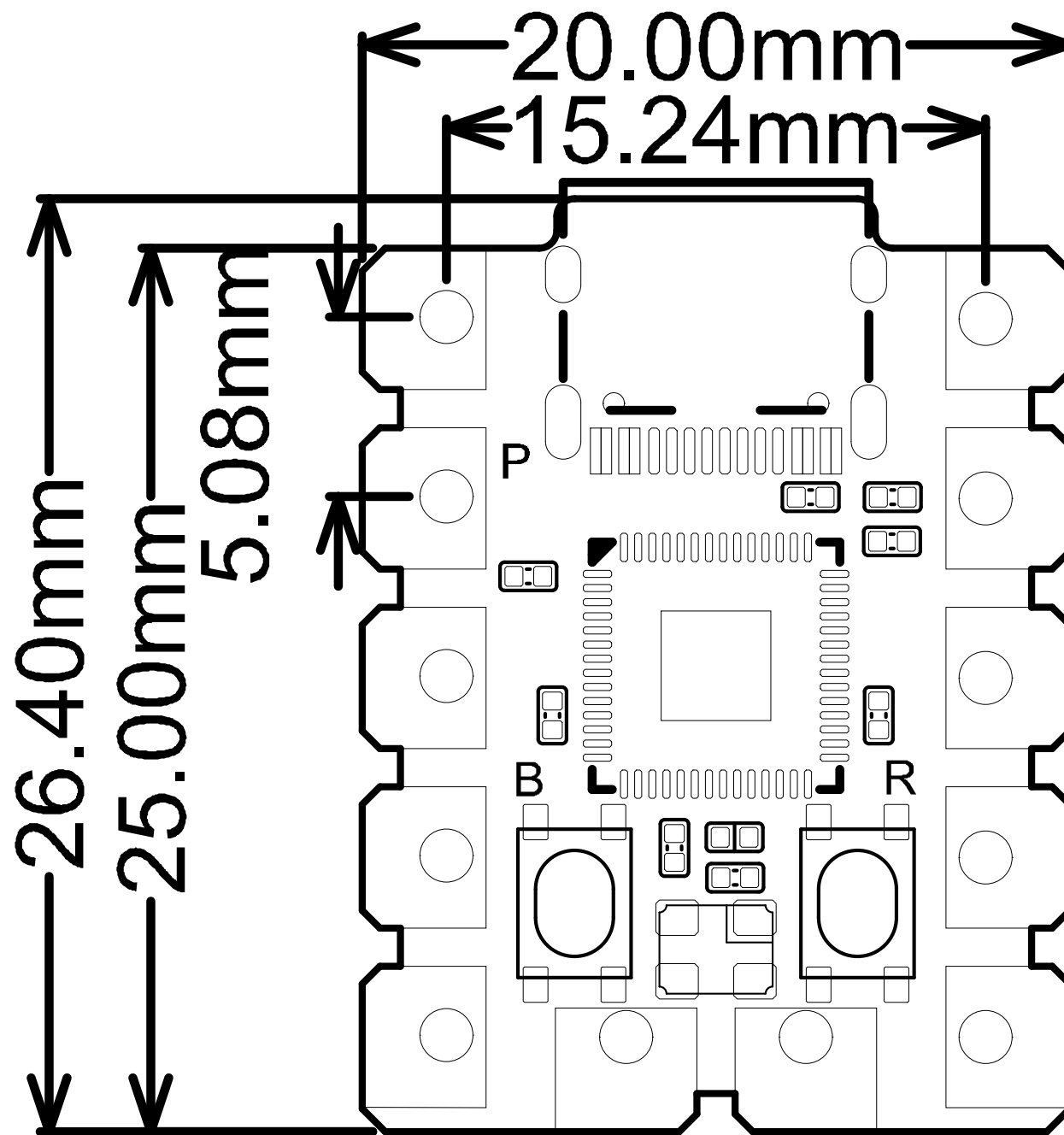


PCB Information	Name:[DFR0959](V0.0.1)	Thickness: 1.0mm
Engineer:HDJ-CD	Top SolderMask: Black	Bottom SolderMask: Black
Date: 20220112	Top Silkscreen: White	Bottom Silkscreen: White

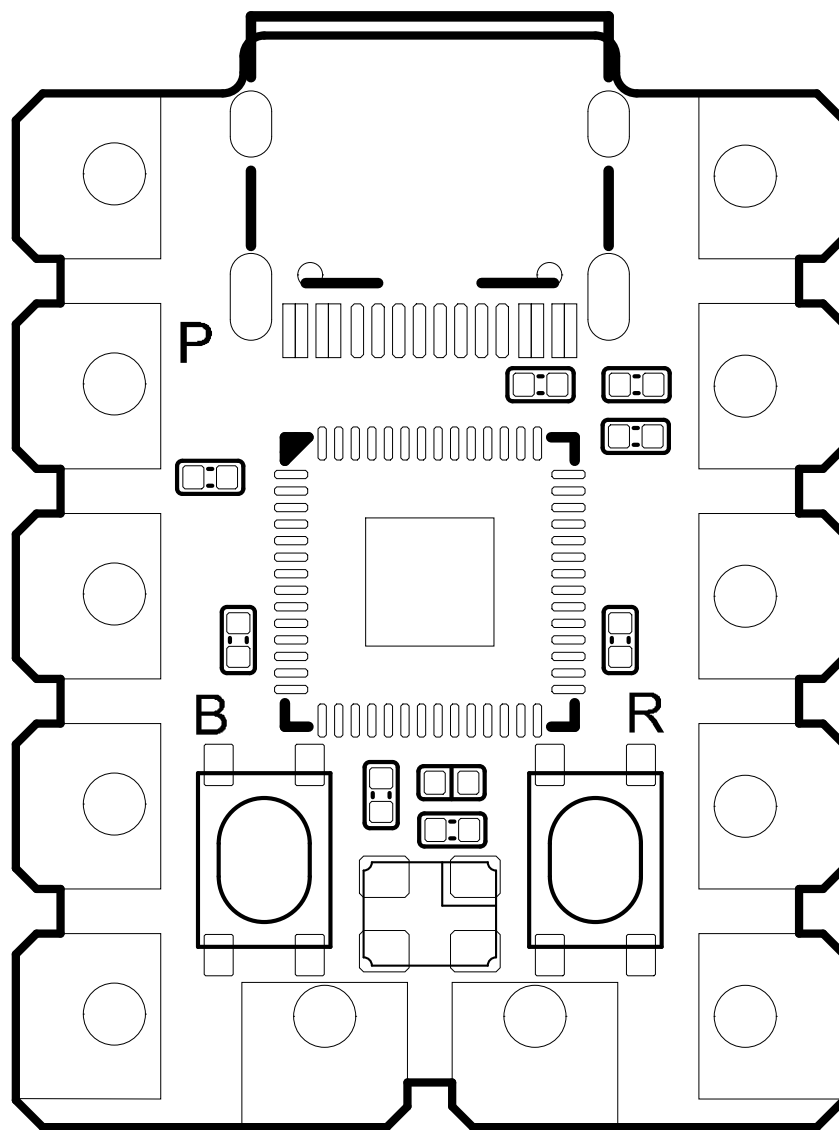


Beetle RP2040 V0.0.1

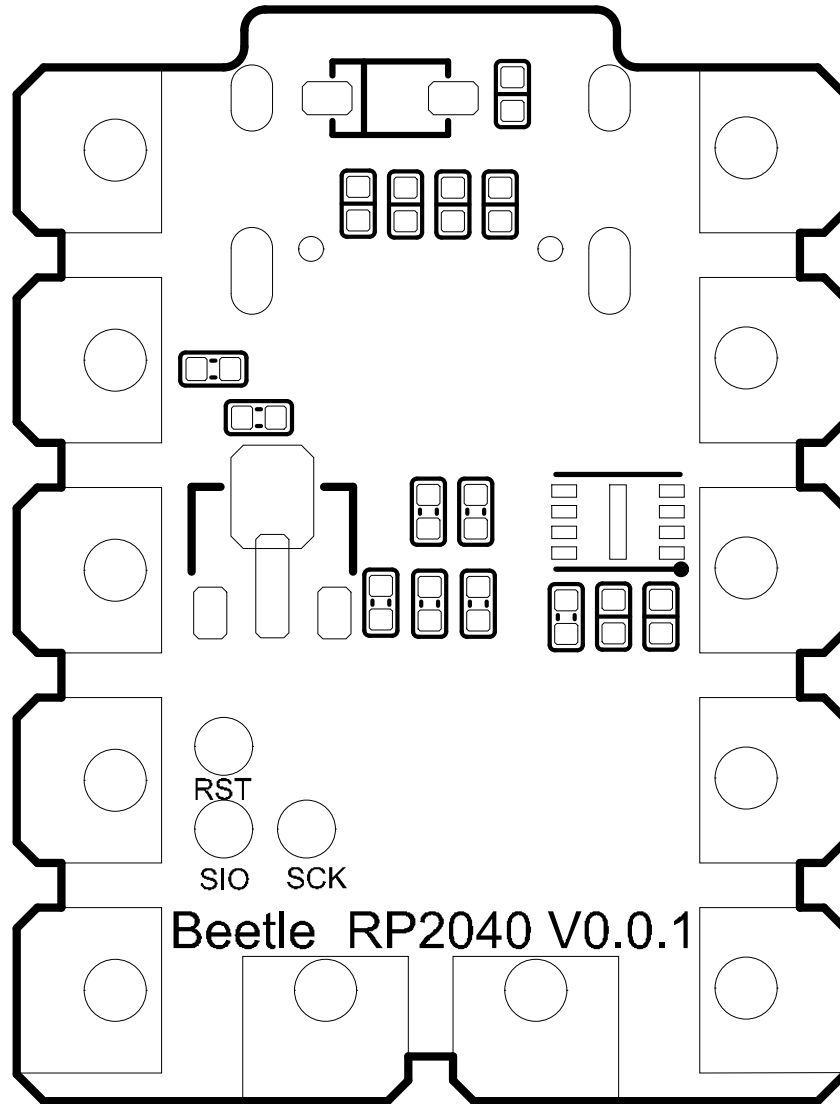
PCB Information	Name:[DFR0959](V0.0.1)	Thickness: 1.0mm
Engineer:HDJ-CD	Top SolderMask: Black	Bottom SolderMask: Black
Date: 20220112	Top Silkscreen: White	Bottom Silkscreen: White



PCB Information	Name:[DFR0959](V0.0.1)	Thickness: 1.0mm
Engineer:HDJ-CD	Top SolderMask: Black	Bottom SolderMask: Black
Date: 20220112	Top Silkscreen: White	Bottom Silkscreen: White



PCB Information	Name:[DFR0959](V0.0.1)	Thickness: 1.0mm
Engineer:HDJ-CD	Top SolderMask: Black	Bottom SolderMask: Black
Date: 20220112	Top Silkscreen: White	Bottom Silkscreen: White



PCB Information	Name:[DFR0959](V0.0.1)	Thickness: 1.0mm
Engineer:HDJ-CD	Top SolderMask: Black	Bottom SolderMask: Black
Date: 20220112	Top Silkscreen: White	Bottom Silkscreen: White