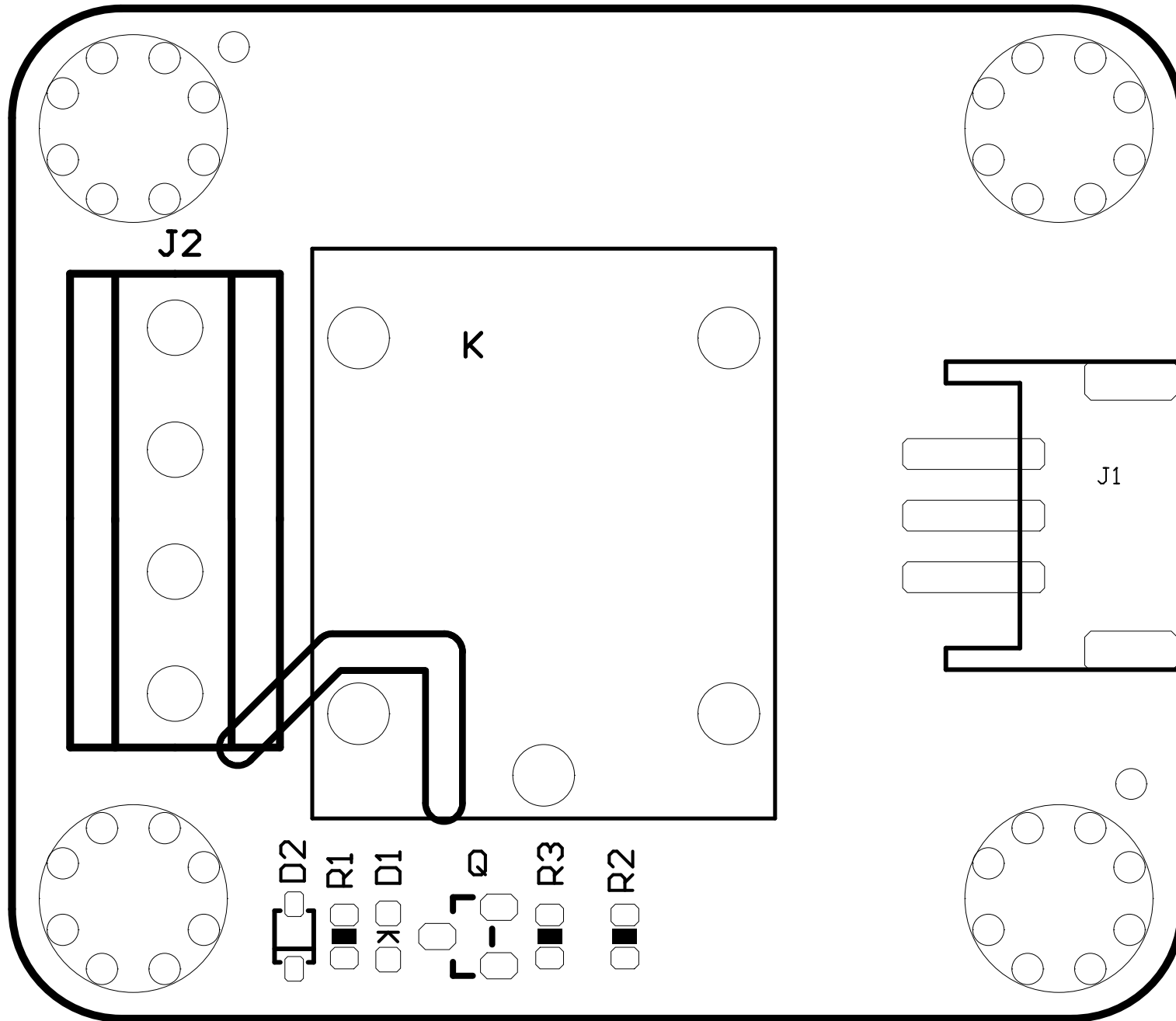


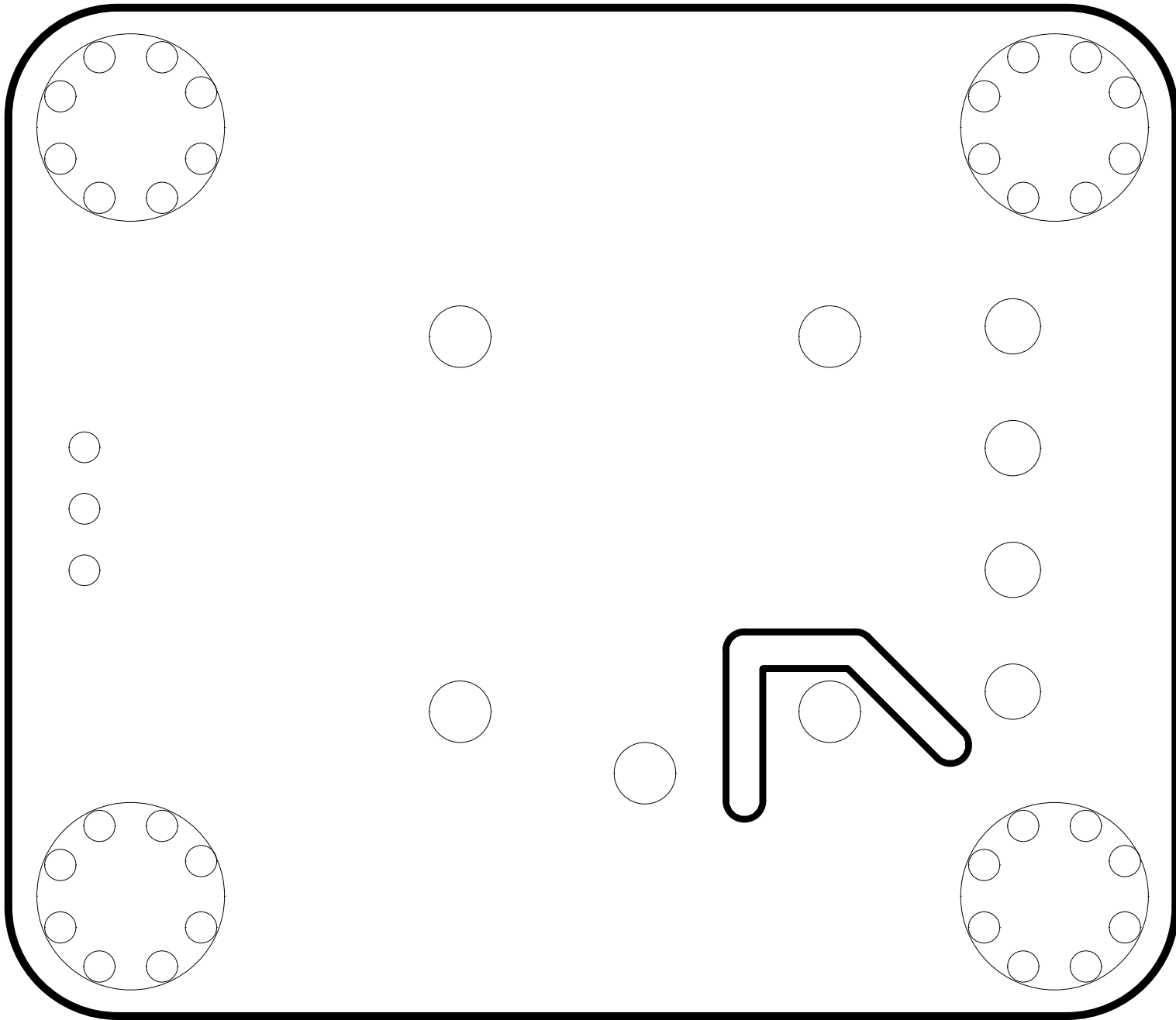
mark1 mark2



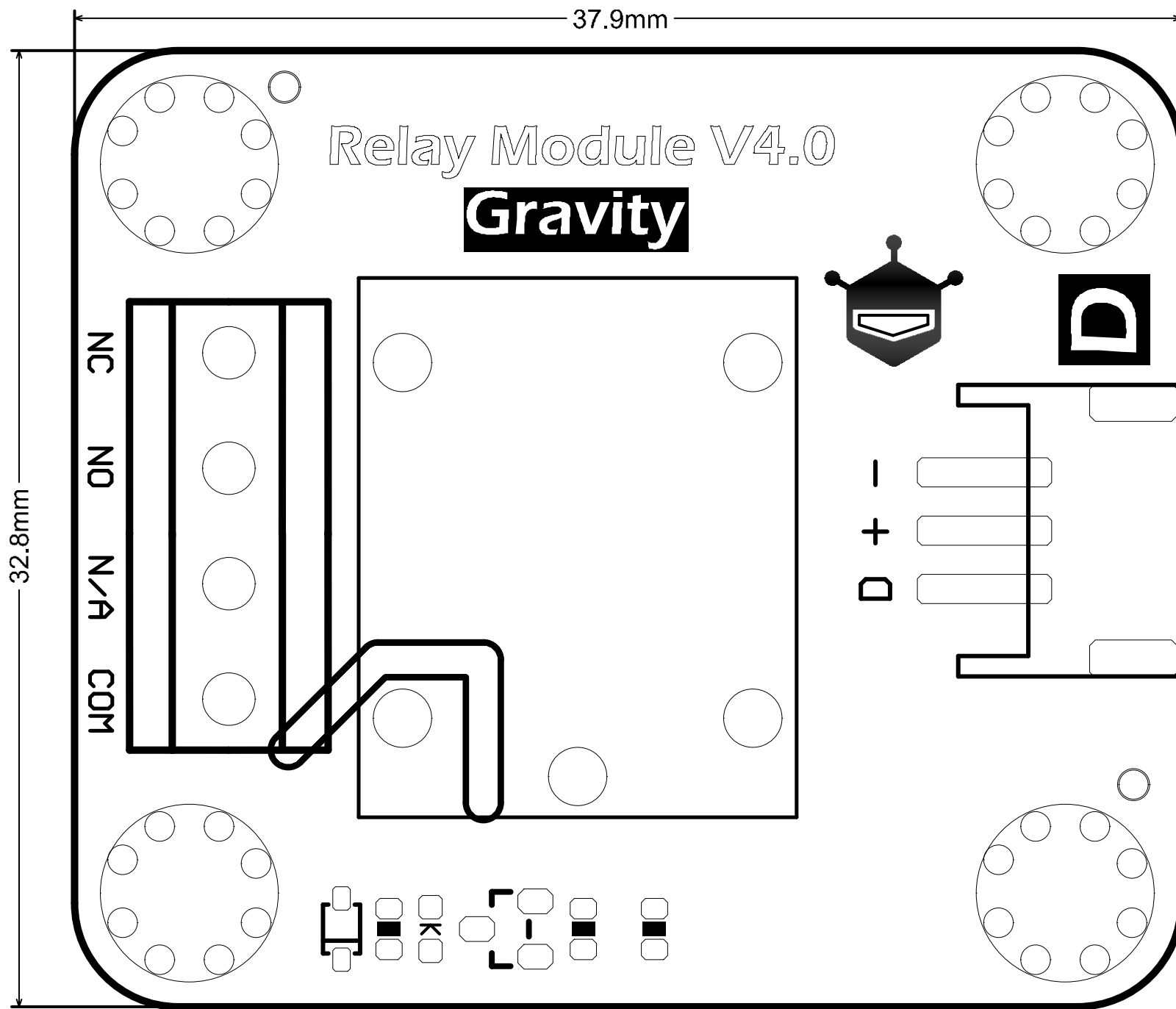
| | |
|----------------------------|-------------------------|
| Title: <i>Relay Module</i> | SKU: <i>DFR0017</i> |
| Drawn: <i>lfwag-CD</i> | Revision: <i>V4.0</i> |
| Page: <i>1 of 1</i> | Date: <i>2018/10/17</i> |
| | Time: <i>16:51:59</i> |



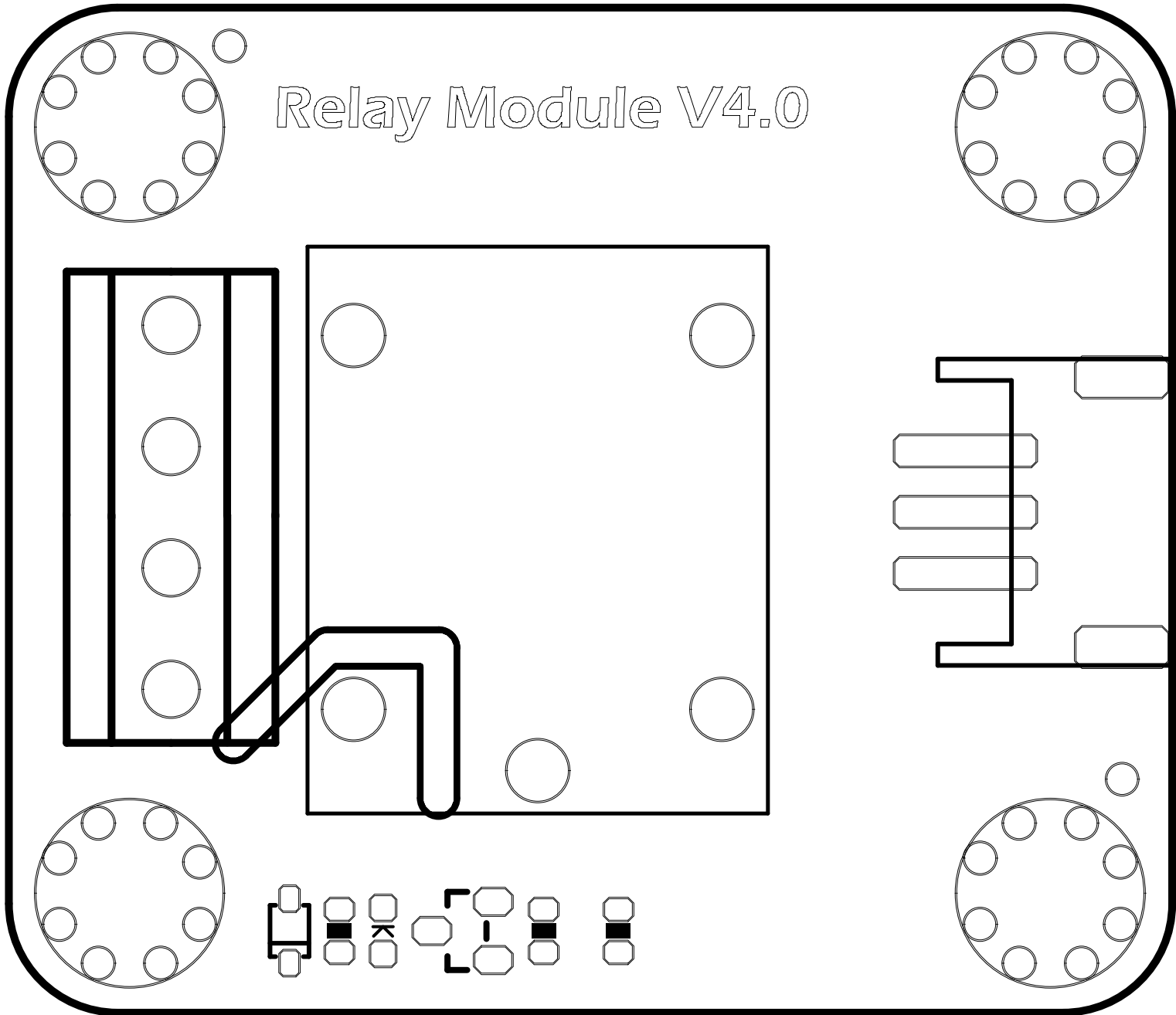
| | | |
|------------------------|-----------------------|--------------------------|
| PCB Information | Name:DFR0017[V4.0] | Thickness: 1.6mm |
| Engineer:lfwag_CD | Top SolderMask: Black | Bottom SolderMask: Black |
| Date:20181017 | Top Silkscreen: White | Bottom Silkscreen: White |



| | | |
|------------------------|-----------------------|--------------------------|
| PCB Information | Name:DFR0017[V4.0] | Thickness: 1.6mm |
| Engineer:lfwag_CD | Top SolderMask: Black | Bottom SolderMask: Black |
| Date:20181017 | Top Silkscreen: White | Bottom Silkscreen: White |



| | | |
|------------------------|-----------------------|--------------------------|
| PCB Information | Name:DFR0017[V4.0] | Thickness: 1.6mm |
| Engineer:lfwag_CD | Top SolderMask: Black | Bottom SolderMask: Black |
| Date:20181017 | Top Silkscreen: White | Bottom Silkscreen: White |

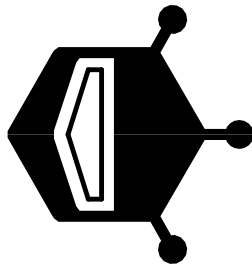


Relay Module V4.0

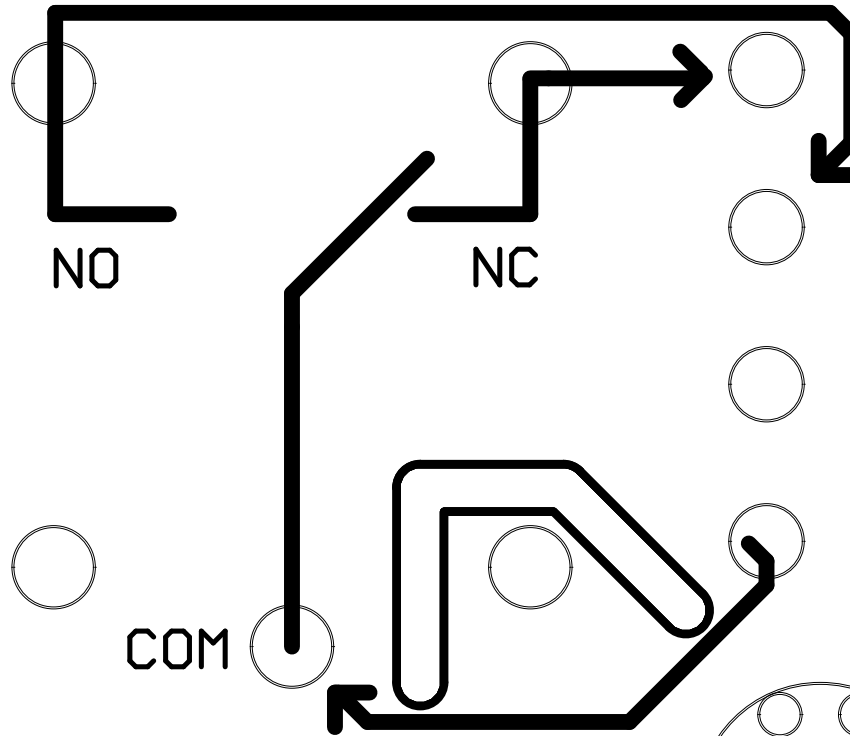
| | | |
|------------------------|-----------------------|--------------------------|
| PCB Information | Name:DFR0017[V4.0] | Thickness: 1.6mm |
| Engineer:lfwag_CD | Top SolderMask: Black | Bottom SolderMask: Black |
| Date:20181017 | Top Silkscreen: White | Bottom Silkscreen: White |

GND
VCC
D

DFROBOT



NC:Normally Closed
NO:Normally Open



| | | |
|------------------------|-----------------------|--------------------------|
| PCB Information | Name:DFR0017[V4.0] | Thickness: 1.6mm |
| Engineer:lfwag_CD | Top SolderMask: Black | Bottom SolderMask: Black |
| Date:20181017 | Top Silkscreen: White | Bottom Silkscreen: White |